

Fisher-Price®



P6831



R0322

Consumer Information



WARNING

To avoid serious injury:

- Adult supervision is required.
- Never use near cars and other motor vehicles, near streets, steps, sloped driveways, hills, roadways, alleys, swimming pool areas or other bodies of water.
- Always wear shoes or sneakers.
- Never allow more than one rider.



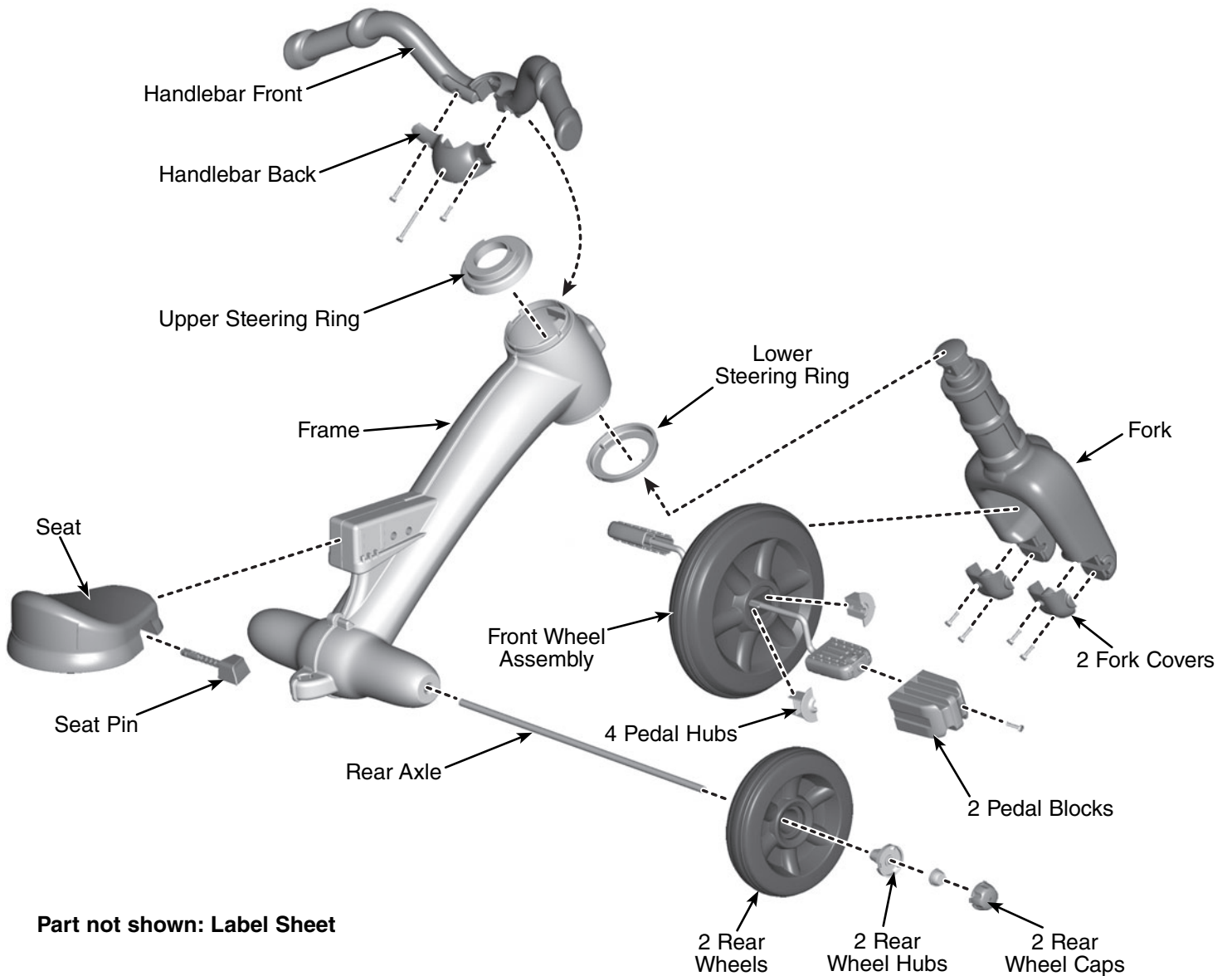
CAUTION

This product contains small parts
in its unassembled state.
Adult assembly is required.

- Please keep this instruction sheet for future reference, as it contains important information.
- Adult assembly is required.
- Tools required for assembly: Phillips Screwdriver, Hammer and Scrap Block of Wood (not included).
- Age: 2-5 years
- Weight limit: 55 lbs (25 kg).
- Please save all packaging material until assembly is complete to ensure that no parts are discarded.
- Please wipe each part with a clean, dry cloth before assembly.

Parts

Note: Some parts shown are assembled to both sides of the trike.



Part not shown: Label Sheet



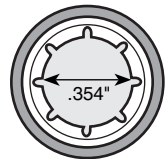
#8 x 2 1/4" Screw - 1



#8 x 3/4" Screw - 6



#6 x 1/2" Screw - 2



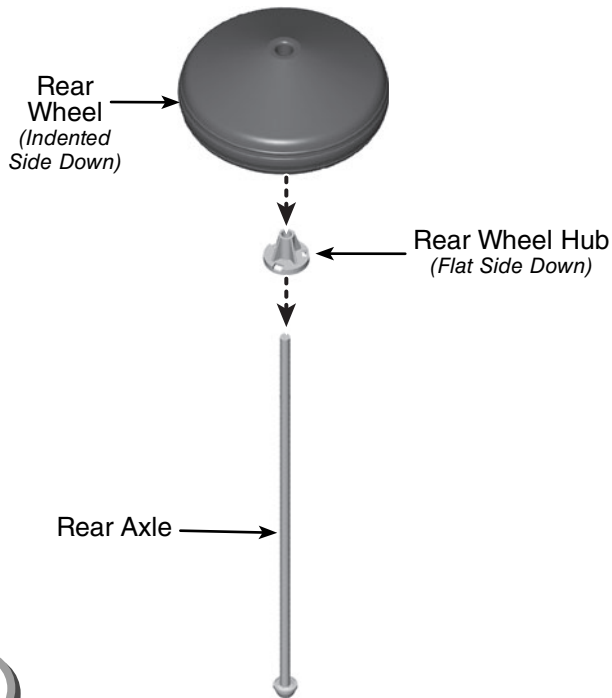
.354" Cap Nut - 2*

ALL FASTENERS SHOWN ACTUAL SIZE

*We've included one extra .354" cap nut for your convenience.

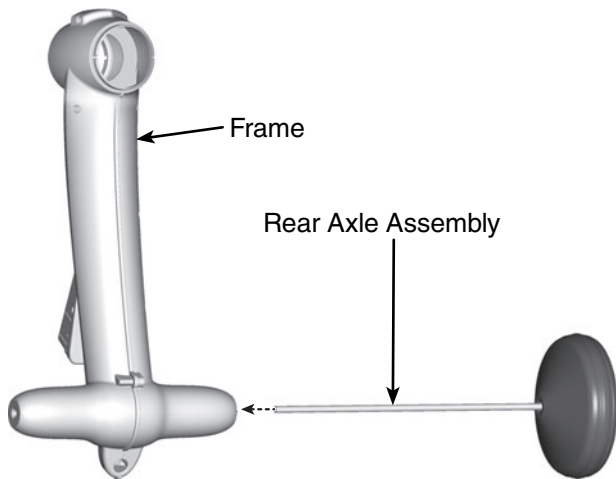
Note: Tighten and loosen the screws with a Phillips screwdriver. Do not over-tighten the screws.

Assembly



1

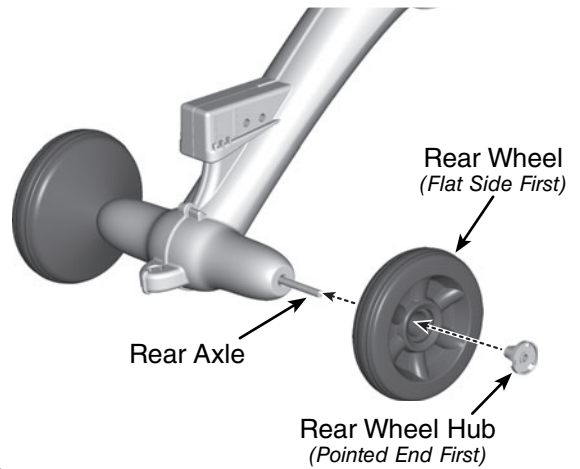
- Slide a rear wheel hub, *rounded side up*, onto the rear axle.
- Slide a rear wheel, *indented side down*, onto the rear axle.



2

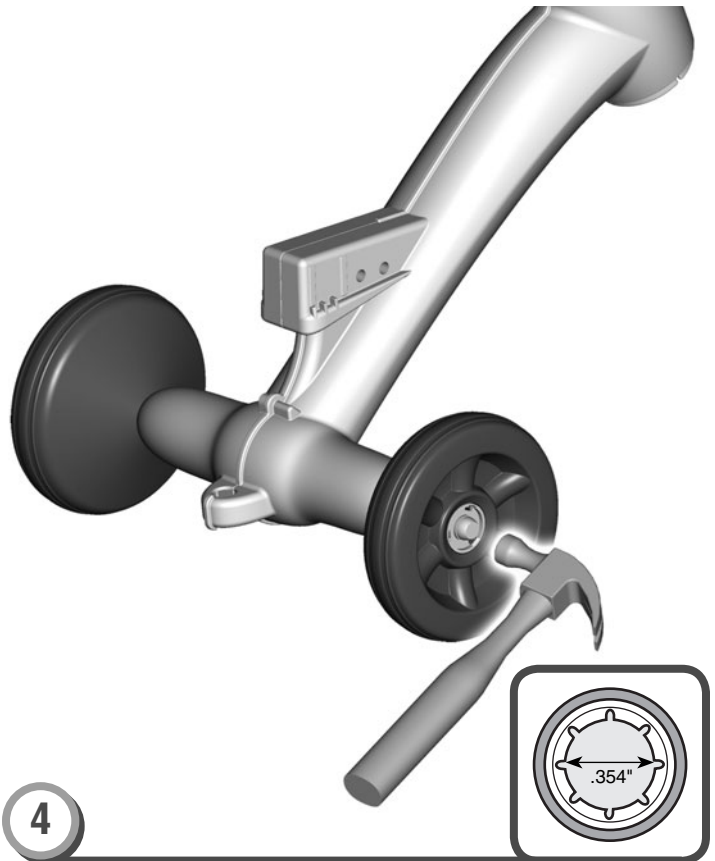
Bottom View

- Turn the frame upside down.
- Insert the rear axle assembly through the holes in the rear of the frame.



3

- Turn the assembly upright.
- Slide a rear wheel, *rounded side first*, onto the end of the rear axle.
- Slide a rear wheel hub, *pointed end first*, onto the end of the rear axle.

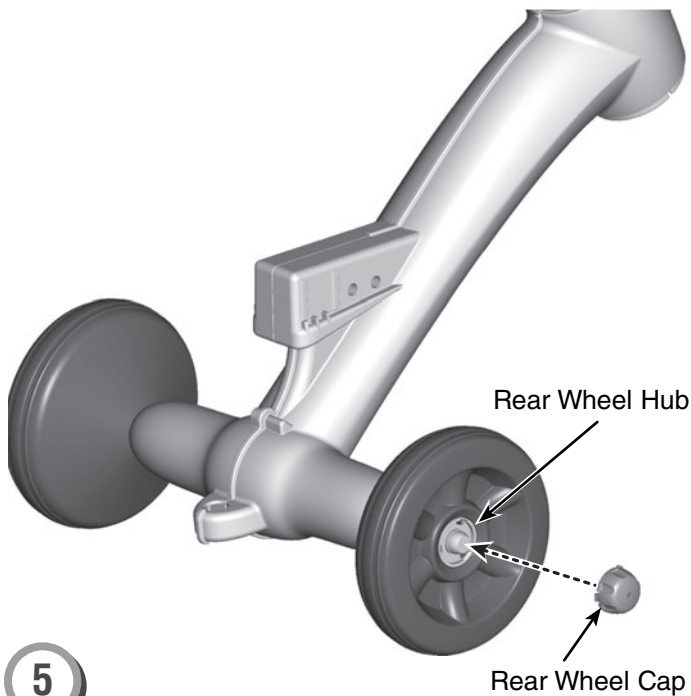


4

- Fit a cap nut on the end of the rear axle.
- Tap the cap nut with a hammer. **Gently pull the rear wheel to be sure the cap nut is securely attached to the rear axle.**

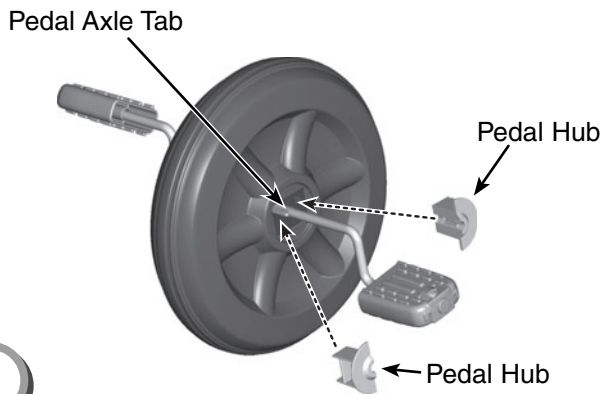
Hint: You may need the help of another adult to hold the other end of the rear axle in place.

Assembly



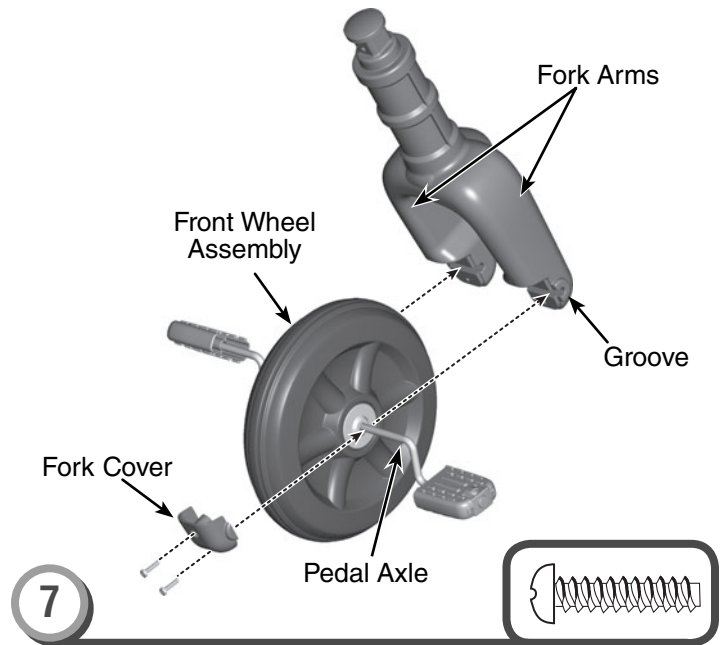
5

- Fit the tabs on a rear wheel cap into the slots in the rear wheel hub. Push to **"snap"** the rear wheel cap in place.
- Repeat this procedure to attach the other rear wheel cap to the other wheel hub.



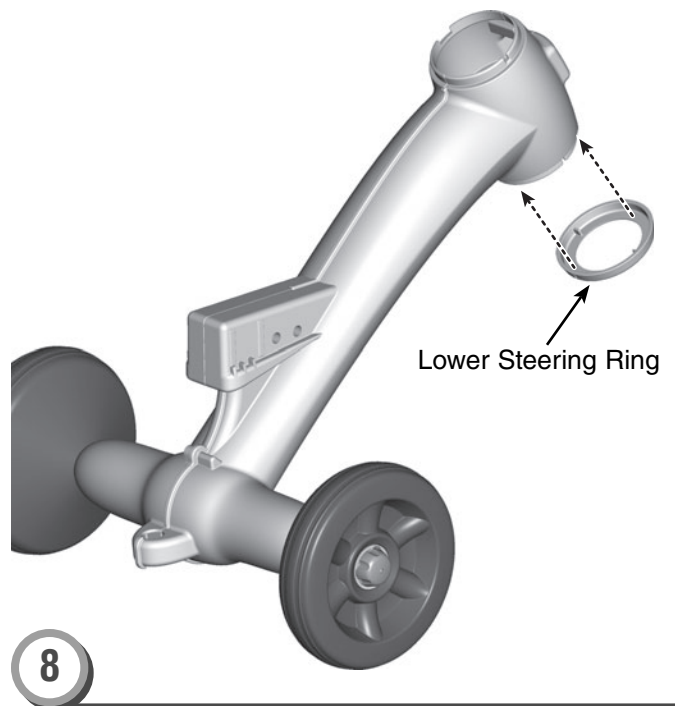
6

- Fit two pedal hubs onto the pedal axle tabs. Make sure the tabs fit into the slot in each pedal hub.
- While holding the pedal hubs on the pedal axle, insert the pedal axle into the hole in the center of the front wheel.
- Press the pedal hubs into the center of the front wheel until they are flush with the surface of the front wheel.
- Repeat this procedure on the other side with the other two pedal hubs.



7

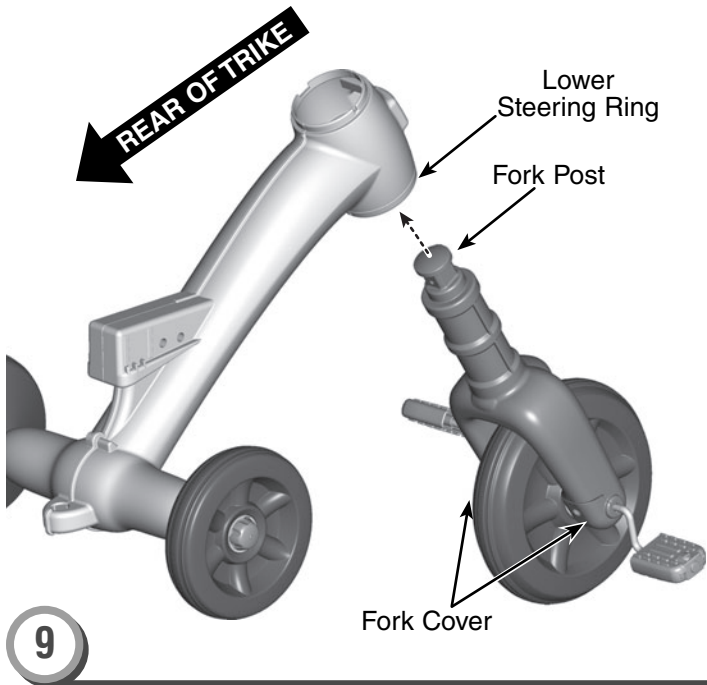
- Place the front wheel assembly between the fork arms. Make sure the pedal axle fits into the groove at the bottom of each fork arm.
- Place a fork cover over the pedal axle on one fork arm.
- Insert two #8 x 3/4" screws into the fork cover and tighten.
- Repeat this procedure to attach the other fork cover to the other fork arm.



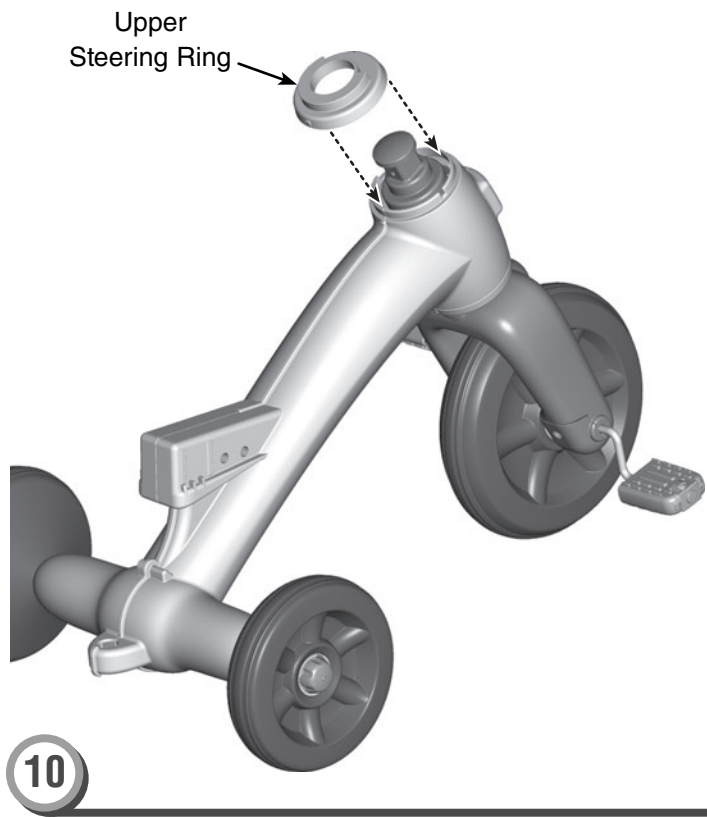
8

- Fit the lower steering ring onto the frame, as shown.

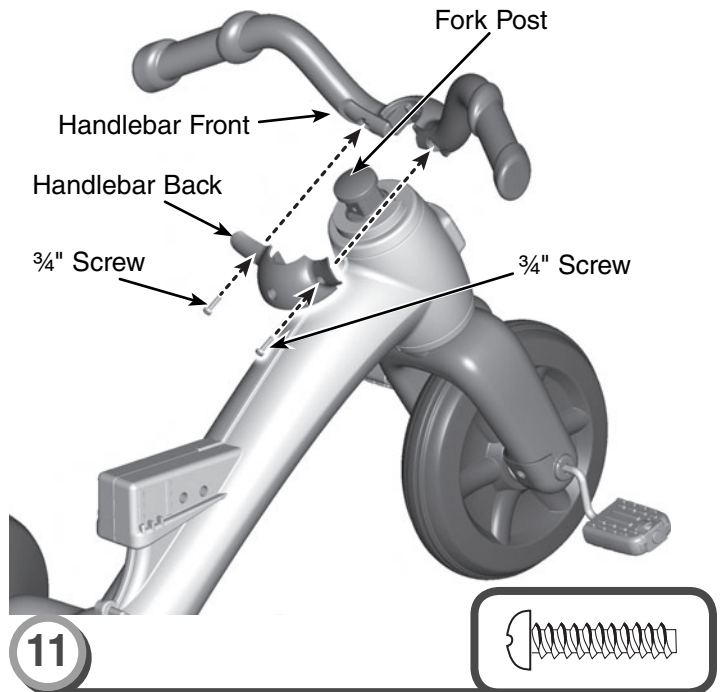
Assembly



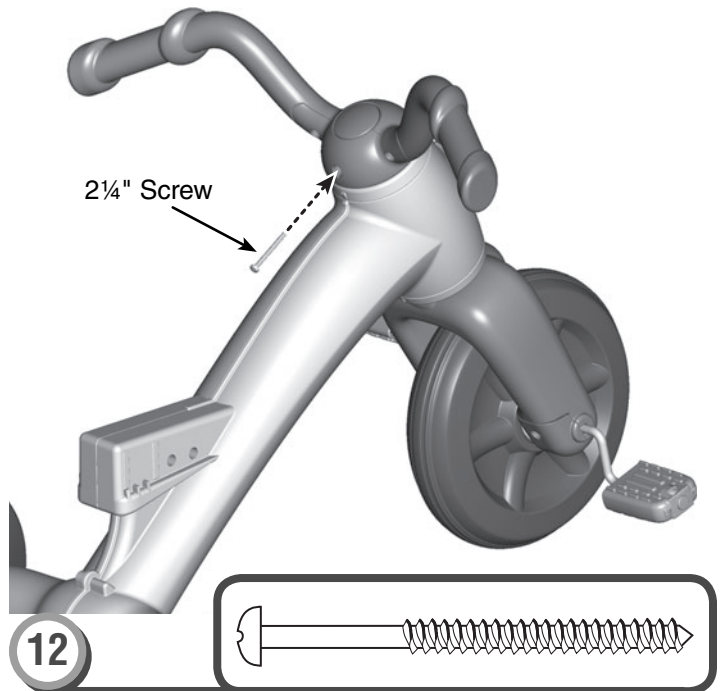
- While holding the lower steering ring in place, insert the fork post up through the hole in the neck of the frame. Make sure the fork is positioned so that the fork covers face the rear wheels.



- Fit the upper steering ring onto the frame, as shown.

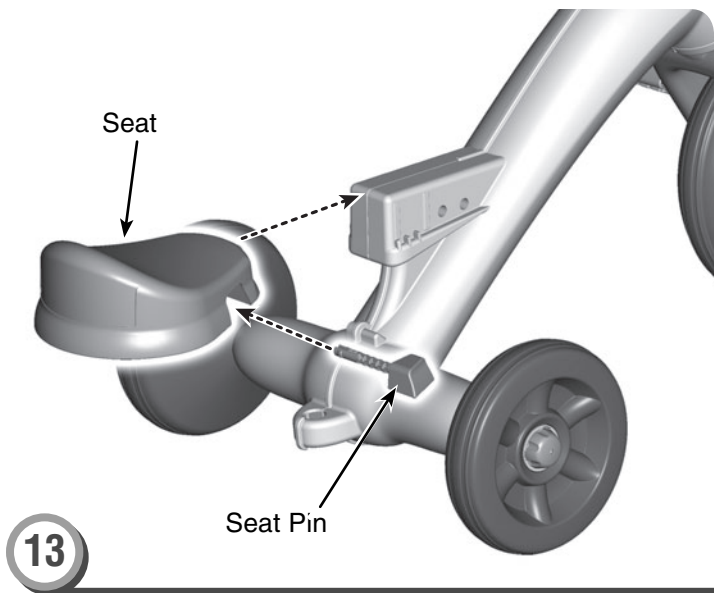


- Fit the handlebar front to the fork post, as shown.
- Fit the handlebar back to the fork post and handlebar front. Hold them together firmly.
- Insert the remaining #8 x 3/4" screws through the outer holes in the handlebar back and tighten.

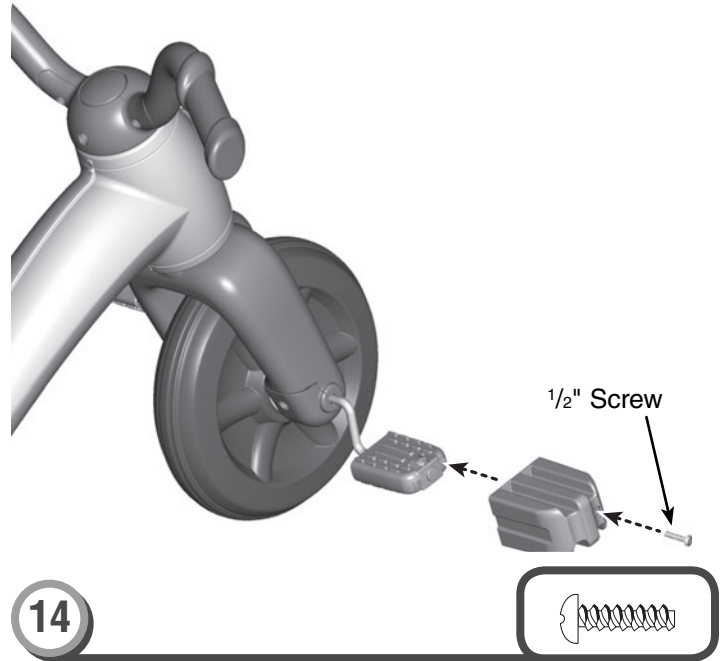


- Insert the #8 x 2 1/4" screw through the center hole in the handlebar back and tighten.

Assembly



- 13**
- Fit the seat onto the frame.
 - Insert the seat pin into the holes in the frame.
- Hint:** The seat is adjustable to your child's size. Have your child sit on the seat and check the foot pedal distance. Adjust the seat up or down for your child's comfort.



- 14**
- Fit the pedal blocks onto each pedal for smaller riders. Insert a #6 x 1/2" screw into hole in each pedal block and tighten.
 - Remove the pedal blocks for bigger riders and store for future use.

Consumer Information



CONSUMER ASSISTANCE

Call toll free: 1-800-432-5437 (US & Canada only)
M-F 9AM to 7PM / SAT 11AM to 5PM (EST)

 service.fisher-price.com

Write to us at: Fisher-Price® Consumer Relations,
636 Girard Avenue, East Aurora, New York 14052.

Hearing-impaired consumers using TTY/TDD equipment,
please call 1-800-382-7470.

For countries outside the United States:

Canada: Mattel Canada Inc., 6155 Freemont Blvd.,
Mississauga, Ontario L5R 3W2; www.service.mattel.com.

Great Britain: Mattel UK Ltd. Vanwall Business Park,
Maidenhead SL6 4UB. Helpline: 01628 500303,
www.service.mattel.com/uk

Australia: Mattel Australia Pty. Ltd., 658 Church Street,
Locked Bag #870, Richmond, Victoria 3121 Australia.
Consumer Advisory Service 1300 135 312.

New Zealand: 16-18 William Pickering Drive,
Albany 1331, Auckland.

Asia: Mattel East Asia Ltd, Room 1106, South Tower,
World Finance Centre, Harbour City, Tsimshatsui, HK, China.

IMPORTANT! It is a good practice to start training children very young regarding the importance of helmet use. When children are older and riding bicycles and faster vehicles, it is important that they use a helmet each and every time they ride. For this reason, even while riding a tricycle, it is a good idea to familiarize your child with helmet use, so that it becomes a habit for life. Choose a helmet that complies with requirements of the applicable certifying agency for bicycle helmets.

Care

- Periodically, check the plastic parts and if broken or cracked, dispose of them properly.
- Periodically, check all fasteners regularly to be sure they are tight. If the fasteners are not tight, tighten them as necessary.
- To clean, use a mild soap and water solution and a clean cloth. Rinse clean with water to remove soap residue.